

LEVER BODY

Stainless steel, sandblasted matte finish.

STANDARD EXECUTIONS

Retaining screw with six-lobed socket to fit TORX®* (see communication attached).

AISI 301 stainless steel return spring. AISI 303 stainless steel clamping element with retaining screw.

- **GN 300.5 (d1)**: threaded hole.
- **GN 300.5 (d1 - I2)**: threaded screw.

FEATURES AND APPLICATIONS

Particularly suitable when the lever turning angle is limited owing to lack of space.

INSTRUCTIONS OF USE

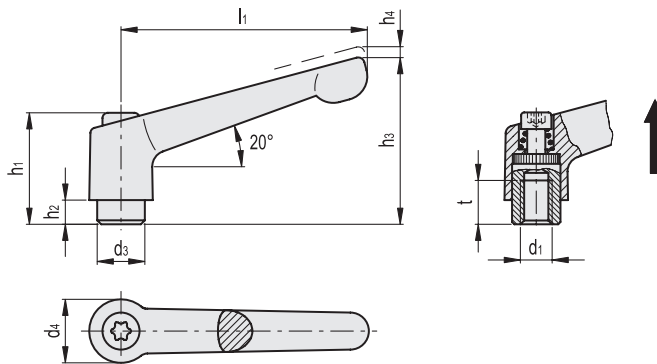
For clamping, lift the lever to disengage the clamping device teeth and bring it back to start position. By releasing the lever, the return spring automatically engages the teeth.

If the lever cannot make a 360° rotation, the clamping element can be easily screwed by means of the six-lobed socket front head screw (after having disengaged the lever).

SPECIAL EXECUTIONS ON REQUEST

- Clamping element with different threadings and lengths.
- Adjustable handle with hexagonal head retaining screw (GN 300.5-AS).
- Adjustable handles with lever in cast CF-8 stainless steel with electro-polished finish (GN 300.6).

* Registered trademark by TEXTRON INC.

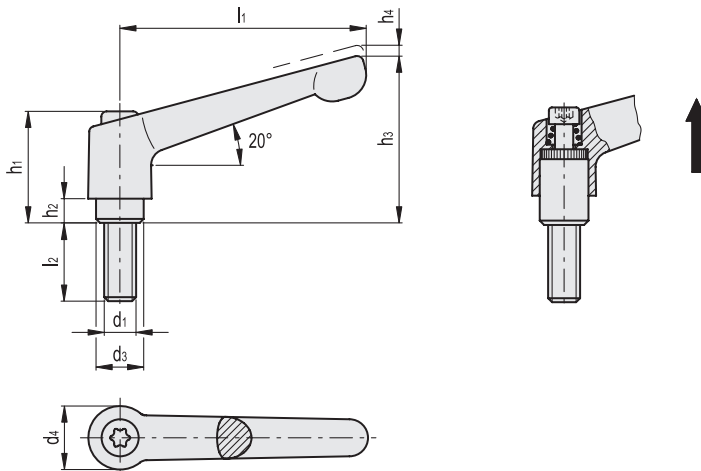


GN 300.5 (d1)



Code	Description	d1	l1	d2 H7	d3	d4	h1	h2	h3	h4	tmin	△
GN.15641	GN 300.5-30-M3-IS	M 3	30	-	10	13	24.5	4	31	3.5	7	25
GN.15642	GN 300.5-30-M4-IS	M 4	30	-	10	13	24.5	4	31	3.5	9	31
GN.15643	GN 300.5-30-M5-IS	M 5	30	-	10	13	24.5	4	31	3.5	9	30
GN.15644	GN 300.5-30-M6-IS	M 6	30	-	10	13	24.5	4	31	3.5	9	30
GN.15699	GN 300.5-45-M4-IS	M 4	45	-	10	13	24.5	4	34	3.5	9	42
GN.15700	GN 300.5-45-M5-IS	M 5	45	-	10	13	24.5	4	34	3.5	9	40
GN.15701	GN 300.5-45-M6-IS	M 6	45	-	10	13	24.5	4	34	3.5	9	39
GN.15710	GN 300.5-63-M6-IS	M 6	63	-	13.5	17.5	31	6.5	45	4	11	88
GN.15711	GN 300.5-63-M8-IS	M 8	63	-	13.5	17.5	31	6.5	45	4	11	86
GN.15720	GN 300.5-78-M8-IS	M8	78	B 8	16	21	36	8	54	4	14	141
GN.15721	GN 300.5-78-M10-IS	M10	78	B 10	16	21	36	8	54	4	14	138
GN.15725	GN 300.5-92-M10-IS	M10	92	B 12	19	24	43	11	64	4	17	223
GN.15726	GN 300.5-92-M12-IS	M 12	92	-	19	24	43	11	64	4	17	216

Clamping handles



GN 300.5 (d1)

INOX STAINLESS STEEL

Code	Description	d1	l1	d3	d4	h1	h2	h3	h4	l2	⚖
GN.15651	GN 300.5-30-M3-6-IS	M 3	30	10	13	24.5	4	31	3.5	6	32
GN.15652	GN 300.5-30-M3-8-IS	M 3	30	10	13	24.5	4	31	3.5	8	105
GN.15653	GN 300.5-30-M3-10-IS	M 3	30	10	13	24.5	4	31	3.5	10	103
GN.15654	GN 300.5-30-M3-12-IS	M 3	30	10	13	24.5	4	31	3.5	12	103
GN.15655	GN 300.5-30-M3-16-IS	M 3	30	10	13	24.5	4	31	3.5	16	103
GN.15656	GN 300.5-30-M4-12-IS	M 4	30	10	13	24.5	4	31	3.5	12	32
GN.15657	GN 300.5-30-M4-16-IS	M 4	30	10	13	24.5	4	31	3.5	16	32
GN.15658	GN 300.5-30-M4-20-IS	M 4	30	10	13	24.5	4	31	3.5	20	32
GN.15659	GN 300.5-30-M4-25-IS	M 4	30	10	13	24.5	4	31	3.5	25	33
GN.15660	GN 300.5-30-M4-32-IS	M 4	30	10	13	24.5	4	31	3.5	32	33
GN.15661	GN 300.5-30-M5-12-IS	M 5	30	10	13	24.5	4	31	3.5	12	32
GN.15662	GN 300.5-30-M5-16-IS	M 5	30	10	13	24.5	4	31	3.5	16	33
GN.15663	GN 300.5-30-M5-20-IS	M 5	30	10	13	24.5	4	31	3.5	20	20
GN.15664	GN 300.5-30-M5-25-IS	M 5	30	10	13	24.5	4	31	3.5	25	34
GN.15665	GN 300.5-30-M5-32-IS	M 5	30	10	13	24.5	4	31	3.5	32	35
GN.15666	GN 300.5-30-M5-40-IS	M 5	30	10	13	24.5	4	31	3.5	40	36
GN.15667	GN 300.5-30-M5-50-IS	M 5	30	10	13	24.5	4	31	3.5	50	33
GN.15668	GN 300.5-30-M6-12-IS	M 6	30	10	13	24.5	4	31	3.5	12	33
GN.15669	GN 300.5-30-M6-16-IS	M 6	30	10	13	24.5	4	31	3.5	16	34
GN.15670	GN 300.5-30-M6-20-IS	M 6	30	10	13	24.5	4	31	3.5	20	34
GN.15671	GN 300.5-30-M6-25-IS	M 6	30	10	13	24.5	4	31	3.5	25	35
GN.15672	GN 300.5-30-M6-32-IS	M 6	30	10	13	24.5	4	31	3.5	32	33
GN.15673	GN 300.5-30-M6-40-IS	M 6	30	10	13	24.5	4	31	3.5	40	38
GN.15674	GN 300.5-30-M6-50-IS	M 6	30	10	13	24.5	4	31	3.5	50	39
GN.15760	GN 300.5-45-M4-12-IS	M 4	45	10	13	24.5	4	34	3.5	12	43
GN.15761	GN 300.5-45-M4-16-IS	M 4	45	10	13	24.5	4	34	3.5	16	43
GN.15763	GN 300.5-45-M4-25-IS	M 4	45	10	13	24.5	4	34	3.5	25	44
GN.15764	GN 300.5-45-M4-32-IS	M 4	45	10	13	24.5	4	34	3.5	32	40
GN.15765	GN 300.5-45-M5-12-IS	M 5	45	10	13	24.5	4	34	3.5	12	40
GN.15766	GN 300.5-45-M5-16-IS	M 5	45	10	13	24.5	4	34	3.5	16	40





GN 300.5 (d1 - l2)

Code	Description	d1	l1	d3	d4	h1	h2	h3	h4	l2	⚖️
GN.15767	GN 300.5-45-M5-20-IS	M 5	45	10	13	24.5	4	34	3.5	20	40
GN.15768	GN 300.5-45-M5-25-IS	M 5	45	10	13	24.5	4	34	3.5	25	40
GN.15769	GN 300.5-45-M5-32-IS	M 5	45	10	13	24.5	4	34	3.5	32	50
GN.15770	GN 300.5-45-M5-40-IS	M 5	45	10	13	24.5	4	34	3.5	40	35
GN.15771	GN 300.5-45-M5-50-IS	M 5	45	10	13	24.5	4	34	3.5	50	44
GN.15730	GN 300.5-45-M6-12-IS	M 6	45	10	13	24.5	4	34	3.5	12	43
GN.15731	GN 300.5-45-M6-16-IS	M 6	45	10	13	24.5	4	34	3.5	16	44
GN.15732	GN 300.5-45-M6-20-IS	M 6	45	10	13	24.5	4	34	3.5	20	43
GN.15733	GN 300.5-45-M6-25-IS	M 6	45	10	13	24.5	4	34	3.5	25	40
GN.15734	GN 300.5-45-M6-32-IS	M 6	45	10	13	24.5	4	34	3.5	32	46
GN.15735	GN 300.5-45-M6-40-IS	M 6	45	10	13	24.5	4	34	3.5	40	60
GN.15736	GN 300.5-45-M6-50-IS	M 6	45	10	13	24.5	4	34	3.5	50	80
GN.15772	GN 300.5-63-M6-16-IS	M 6	63	13.5	17.5	31	6.5	45	4	16	90
GN.15773	GN 300.5-63-M6-20-IS	M 6	63	13.5	17.5	31	6.5	45	4	20	100
GN.15774	GN 300.5-63-M6-25-IS	M 6	63	13.5	17.5	31	6.5	45	4	25	94
GN.15775	GN 300.5-63-M6-32-IS	M 6	63	13.5	17.5	31	6.5	45	4	32	80
GN.15776	GN 300.5-63-M6-40-IS	M 6	63	13.5	17.5	31	6.5	45	4	40	100
GN.15777	GN 300.5-63-M6-50-IS	M 6	63	13.5	17.5	31	6.5	45	4	50	102
GN.15778	GN 300.5-63-M6-63-IS	M 6	63	13.5	17.5	31	6.5	45	4	63	100
GN.15741	GN 300.5-63-M8-16-IS	M 8	63	13.5	17.5	31	6.5	45	4	16	98
GN.15742	GN 300.5-63-M8-20-IS	M 8	63	13.5	17.5	31	6.5	45	4	20	93
GN.15743	GN 300.5-63-M8-25-IS	M 8	63	13.5	17.5	31	6.5	45	4	25	98
GN.15744	GN 300.5-63-M8-32-IS	M 8	63	13.5	17.5	31	6.5	45	4	32	95
GN.15745	GN 300.5-63-M8-40-IS	M 8	63	13.5	17.5	31	6.5	45	4	40	102
GN.15746	GN 300.5-63-M8-50-IS	M 8	63	13.5	17.5	31	6.5	45	4	50	100
GN.15747	GN 300.5-63-M8-63-IS	M 8	63	13.5	17.5	31	6.5	45	4	63	100
GN.15779	GN 300.5-78-M8-20-IS	M 8	78	16	21	36	8	54	4	20	160
GN.15780	GN 300.5-78-M8-25-IS	M 8	78	16	21	36	8	54	4	25	141
GN.15781	GN 300.5-78-M8-32-IS	M 8	78	16	21	36	8	54	4	32	150
GN.15782	GN 300.5-78-M8-40-IS	M 8	78	16	21	36	8	54	4	40	160
GN.15783	GN 300.5-78-M8-50-IS	M 8	78	16	21	36	8	54	4	50	160
GN.15784	GN 300.5-78-M8-63-IS	M 8	78	16	21	36	8	54	4	63	163
GN.15785	GN 300.5-78-M8-80-IS	M 8	78	16	21	36	8	54	4	80	174
GN.15752	GN 300.5-78-M10-20-IS	M 10	78	16	21	36	8	54	4	20	160
GN.15753	GN 300.5-78-M10-25-IS	M 10	78	16	21	36	8	54	4	25	160
GN.15754	GN 300.5-78-M10-32-IS	M 10	78	16	21	36	8	54	4	32	163
GN.15755	GN 300.5-78-M10-40-IS	M 10	78	16	21	36	8	54	4	40	160
GN.15756	GN 300.5-78-M10-50-IS	M 10	78	16	21	36	8	54	4	50	170
GN.15757	GN 300.5-78-M10-63-IS	M 10	78	16	21	36	8	54	4	63	180
GN.15758	GN 300.5-78-M10-80-IS	M 10	78	16	21	36	8	54	4	80	150
GN.15786	GN 300.5-92-M10-20-IS	M 10	92	19	24	43	11	64	4	20	240
GN.15787	GN 300.5-92-M10-25-IS	M 10	92	19	24	43	11	64	4	25	240
GN.15788	GN 300.5-92-M10-32-IS	M 10	92	19	24	43	11	64	4	32	240
GN.15789	GN 300.5-92-M10-40-IS	M 10	92	19	24	43	11	64	4	40	260
GN.15790	GN 300.5-92-M10-50-IS	M 10	92	19	24	43	11	64	4	50	260
GN.15791	GN 300.5-92-M10-63-IS	M 10	92	19	24	43	11	64	4	63	264
GN.15792	GN 300.5-92-M10-80-IS	M 10	92	19	24	43	11	64	4	80	280
GN.15793	GN 300.5-92-M12-20-IS	M 12	92	19	24	43	11	64	4	20	250
GN.15794	GN 300.5-92-M12-25-IS	M 12	92	19	24	43	11	64	4	25	250
GN.15795	GN 300.5-92-M12-32-IS	M 12	92	19	24	43	11	64	4	32	240
GN.15796	GN 300.5-92-M12-40-IS	M 12	92	19	24	43	11	64	4	40	260
GN.15797	GN 300.5-92-M12-50-IS	M 12	92	19	24	43	11	64	4	50	260
GN.15798	GN 300.5-92-M12-63-IS	M 12	92	19	24	43	11	64	4	63	260
GN.15799	GN 300.5-92-M12-80-IS	M 12	92	19	24	43	11	64	4	80	290

Clamping handles